

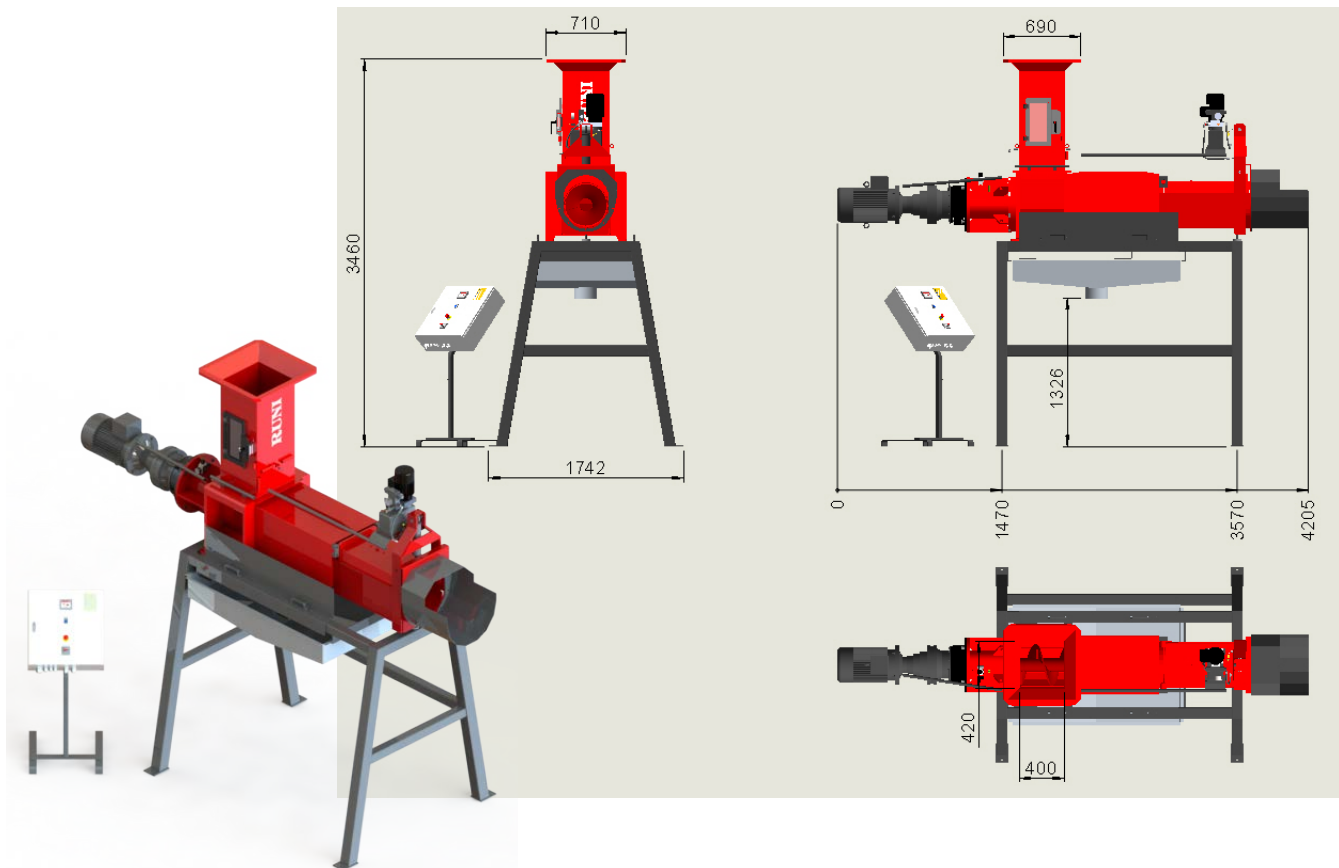


Compacting and separation of tinned food

Technical data specification SK370

Dimensional drawing

Subject to technical modifications.



Technical data	Europe	USA
Material	Tinned food	Tinned food
Achieved density	Approx. 1200 kg/m ³	Approx. 75 lbs/ft ³
Capacity per hour	3500 3 l tinned food 1500 4,5l tinned food	2500 1 gallon tinned food
Diameter for outlet	370 mm	14 inch
Feed opening dimension (standard)	400 x 420 mm	15 x 17 inch
Weight	1500 kg	3300 lbs
Machine dimension (LxBxH) (standard)	4205 x 1742 x 3460 mm	165 x 68 x 136 inch
Motor power	Main motor: 15 kW Hydraulic pump: 0,55 kW	Main motor: 24 hp (18 kW) Hydraulic pump: 0,9 hp (0,66 kW)
Power supply	3 x 400V, 50Hz, 63A	3 x 230V, 60 Hz, 80A 3 x 480V, 60 Hz, 63A
Marking	CE approved	CE-approved, UL(only components)



Compacting and separation of tinned food

Description

Destruction of returned goods and faulty manufacture from breweries and bottling plants often result in storing problems. By installation of a RUNI screw compactor it is possible to save both space and handling. The compacted cans can be sold for recycling. 100% destruction ensures that the products cannot be resold or go to deposit. The separated liquid can be used for animal feed or biogas. The standard max. diameter of the tinned food is 230 mm - corresponding to a 10 litre bucket.



Function

RUNI screw compactor compacts and separates the tinned food continuously. The content of the tinned food is pressed out and led into a tank. It can be sold to energy production or animal feed without making the surroundings dirty. The machines are equipped with sensors for automatic start and stop and can be feed with conveyor belt or manually. It is important that the tinned food is supplied in an appropriate flow to avoid blocking the machine. Vertical hopper is recommended to avoid bridging. Both matrix and collection tray are made of stainless steel (AISI316) to resist low pH in many liquids.



Benefits

- 100% product destruction is ensured.
- Safe and easy operation with automatic start and stop.
- Surroundings stay clean.
- Matrix and collection tray in stainless steel (AISI316) to resist low pH in many liquids

Option

- Machine in stainless steel and washing friendly edition.
- Special model for very large cans and bucket of more than 10 litres - SK370/600.