



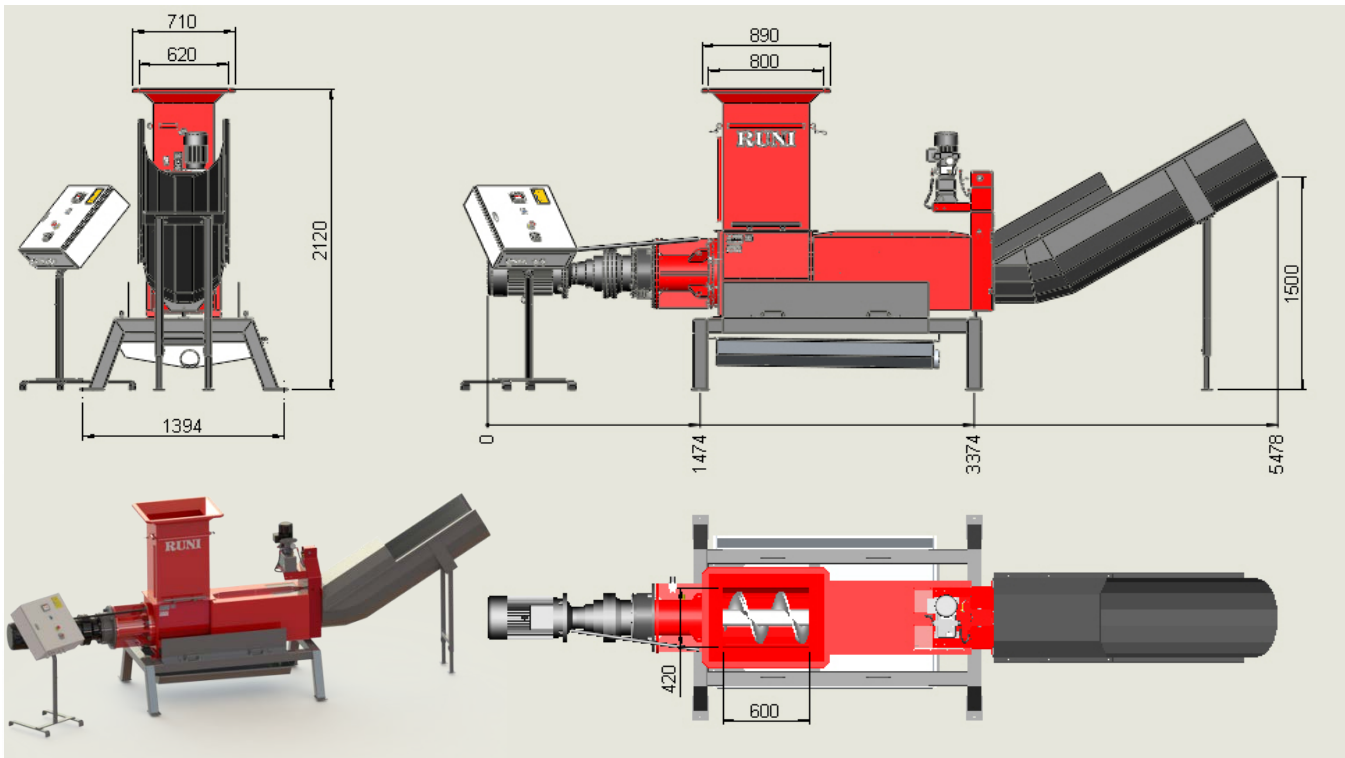
Compacting and separation of PET-bottles

Technical data specification for SK370



Dimensional drawing

Subject to technical modifications.



Technical data	Europe	USA
Material	PET-bottles	PET-bottles
Achieved density	Approx. 250 kg/m ³	Approx. 15 lbs/ft ³
Capacity per hour	20.000 pcs. 0,5 l. bottles 8000 pcs. 1,5 l. bottles	20.000 pcs. 18 oz. bottles 8000 pcs. 53 oz. bottles
Diameter for outlet	370 mm	15 inch
Feed-opening dimension, inlet (standard)	600 x 420 mm	24 x 17 inch
Weight	1500 kg	3300 lbs
Machine dimension (LxWxH) (standard)	5478 x 1394 x 2120 mm	250 x 57 x 80 inch
Motor power	Main motor: 15 kW Hydraulic pump: 0,55 kW	Main motor: 24 hp (18 kW) Hydraulic pump: 0,9 hp (0,66 kW)
Power supply	3 x 400V, 50Hz, 63A	3 x 230V, 60 Hz, 80A 3 x 480V, 60 Hz, 63A
Marking	CE-approved	CE-approved, UL(only components)



Compacting and separation of PET-bottles

Description

PET-bottles is the preferred packaging for soft drinks, fizzy drinks, juice and water. With the wide distribution of these drinks a large waste problem follows. For breweries the main problem is that they often has large volumes of discarded products that need to be destroyed to eliminate risk of products being resold again. For waste collectors the main problem after consumption is the volume compared to the weight, which makes handling and transport difficult and expensive. RUNI screw compactor is the perfect solution for both these problems. When the bottles have been through the RUNI screw compactor is is no longer possible to receive eventual bottle deposit. In many cases the compacted bottles can be sold for recycling.



8  1
 Compaction ratio



Function

RUNI screw compactor compacts and separates the bottles continuously while the liquid is pressed into a tank or drain without making the surroundings dirty. To avoid bridging it is possible to install an agitator in the hopper. The machines are quipped with sensors for automatic start and stop and can be fed with conveyor belt, manually or with tilt container. The compacted bottles can be compacted directly into a container or baling machine.



Benefits

- 100 % product destruction.
- Safe and easy operation with automatic start and stop.
- The surrounding stay clean.
- Matrix and liquid tray in stainless steel (AISI316) to resist low pH in many liquids.

Option

- Complete machine can be delivered in stainless steel and cleaning friendly edition.
- Hopper with agitator to prevent bridging.
- Different hoppers for e.g. tilt container.
- Conveyor belt.