



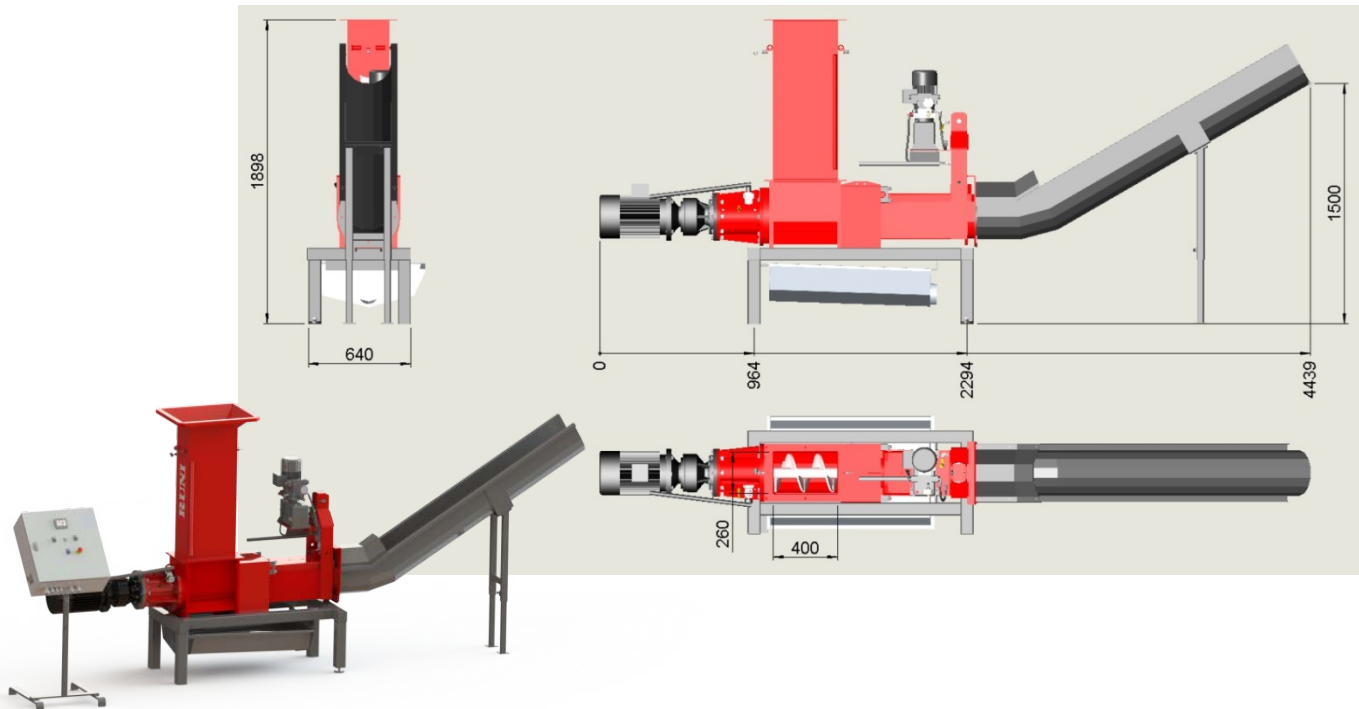
Compacting and separation of Tetra-pak

Technical data specification for SK240



Dimensional drawing

Subject to technical modifications.



Technical data	Europe	USA
Material	Tetra pak	Tetra pak
Achieved density	500 kg/m ³	1100 lbs/ft ³
Capacity per hour	5000 l	5000 l
Diameter for outlet	240 mm	10 inch
Feed-opening dimensioner, inlet (standard)	400 x 260 mm	16 x 10 inch
Weight	1000 kg	2200 lbs
Machine dimension (LxWxH) (standard)	4439 x 640 x 1898 mm	175 x 25 x 75 inch
Motor power	Main motor: 5,5 kW Hydraulic pump: 0,55 kW	Main motor: 9 hp (6,6 kW) Hydraulic pump: 0,9 hp (0,66 kW)
Power supply	3 x 400V, 50Hz, 32A	3 x 230V, 60Hz, 40A 3 x 480V, 60Hz, 32A
Marking	CE-approved	CE-approved, UL(only components)



Compacting and separation of Tetra-pak

Description

Bottleries and other manufacturer of beverages like juice, squash, smoothies and other products in tetra-pak destroy returned beverages with surpassed expiry date and faulty productions to prevent the products being resold by mistake. RUNI screw compactor handles both destruction, emptying and compacting in only one process and this saves handling and space at the manufacturer. Installation of the compactor close to the production ensures immediate destruction and saves transport cost.



Function

At separating the waste stream turns into two. The liquid can be let into the drain or in some cases collected and sold to other purposes like energy production or animal feed. The solid is so dry that it can be sent to incineration at lower cost or sold for recycling. The material is fed either manually or with conveyor belt. The liquid is pressed out through a suitable hole matrix and the compacted solid is slowly pushed out of the departure trough. The perforated matrix is made of acid resistant stainless steel (AISI316) to withstand liquids with low pH.



Benefits

- 100% destruction.
- Safe and easy operation with automatic start and stop.
- The surroundings are kept clean.
- Matrix and collection tray in stainless steel (AISI316) to withstand low pH in many liquids.

Option

- The machine can be delivered in stainless steel and washer friendly edition.
- Different hoppers.